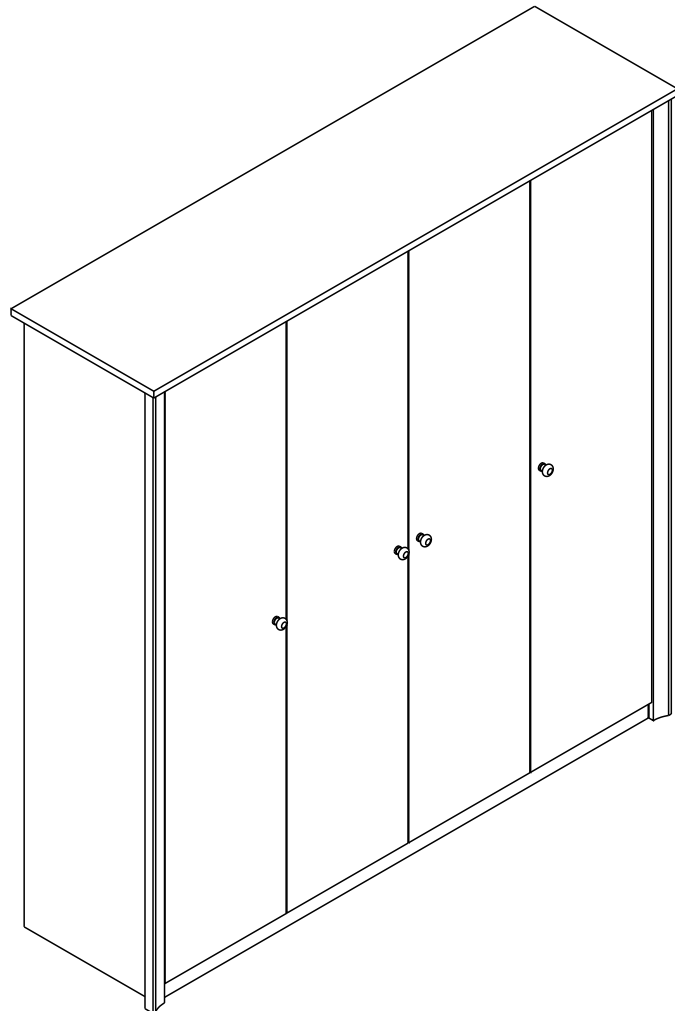




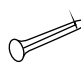









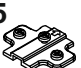





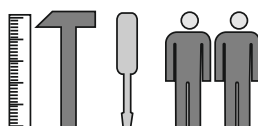
# FINEZJA - F4

## Szafa 4 drz.



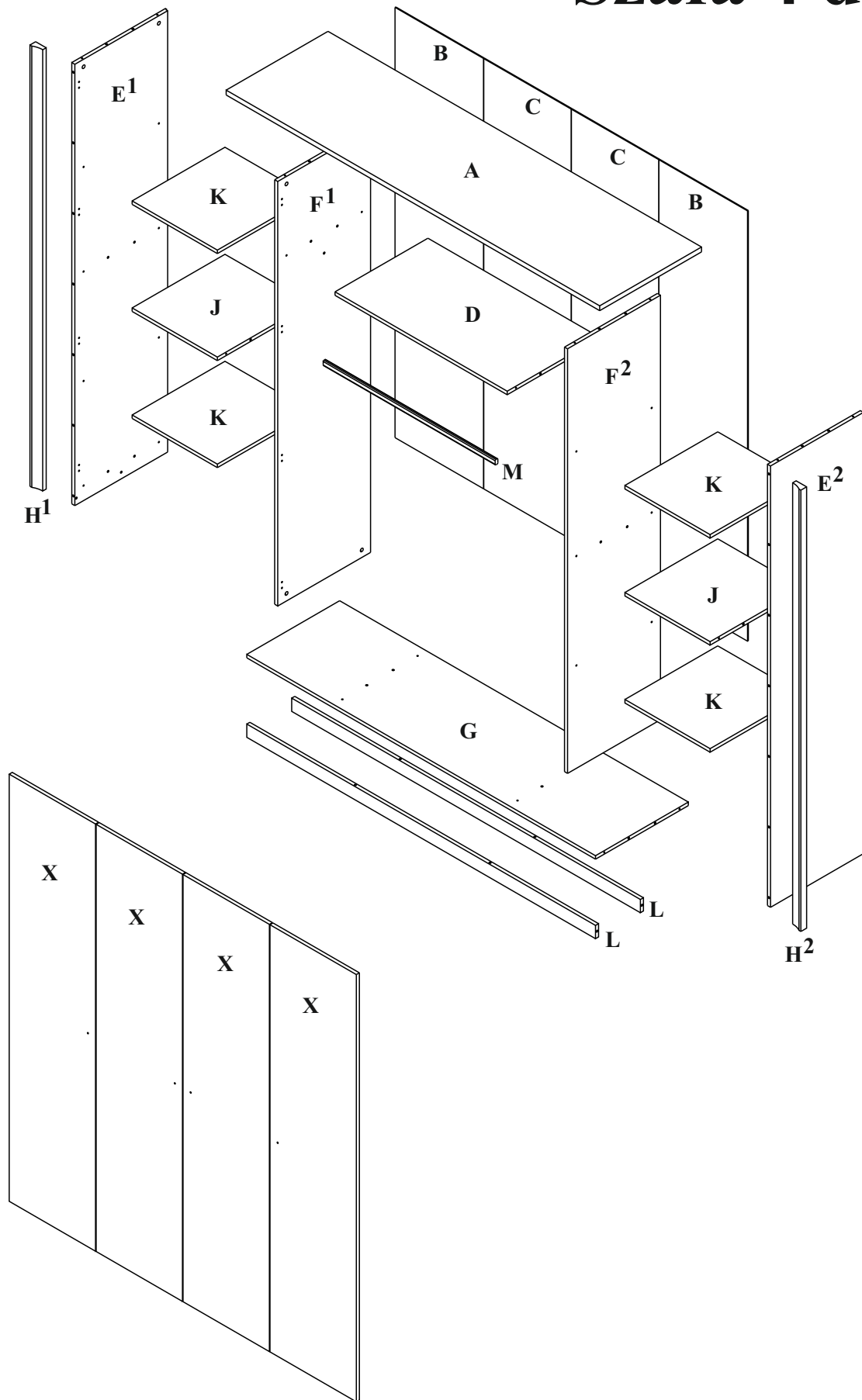
1  x28	2  x28	3  8x35 x50	4  4x22 x4	5  x55	6  x2
7  x16	8  3,5x16 x36	9  x1	10  x4	11  x1	12  x1
13  x16	14  H-2 x8	15  H-0 x8	16  H-11 x8	17  x16	18  x16

Czas mont. - 120 min.

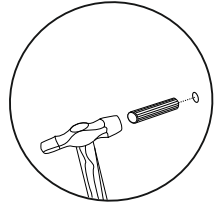
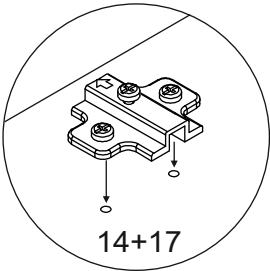
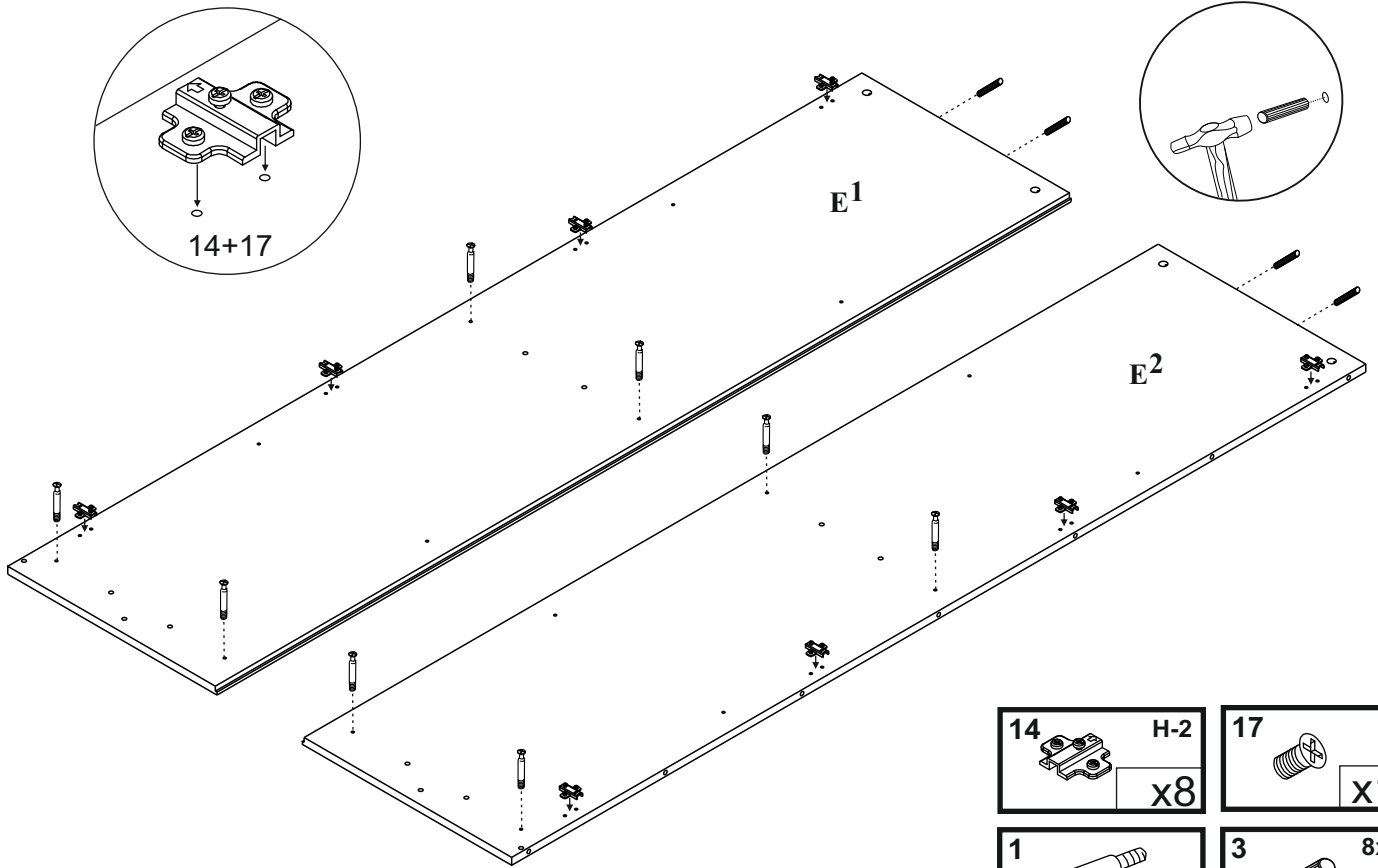


# FINEZJA - F4

## Szafa 4 drz.

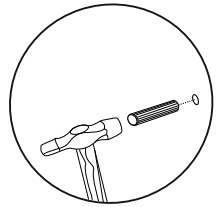
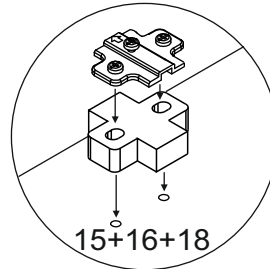
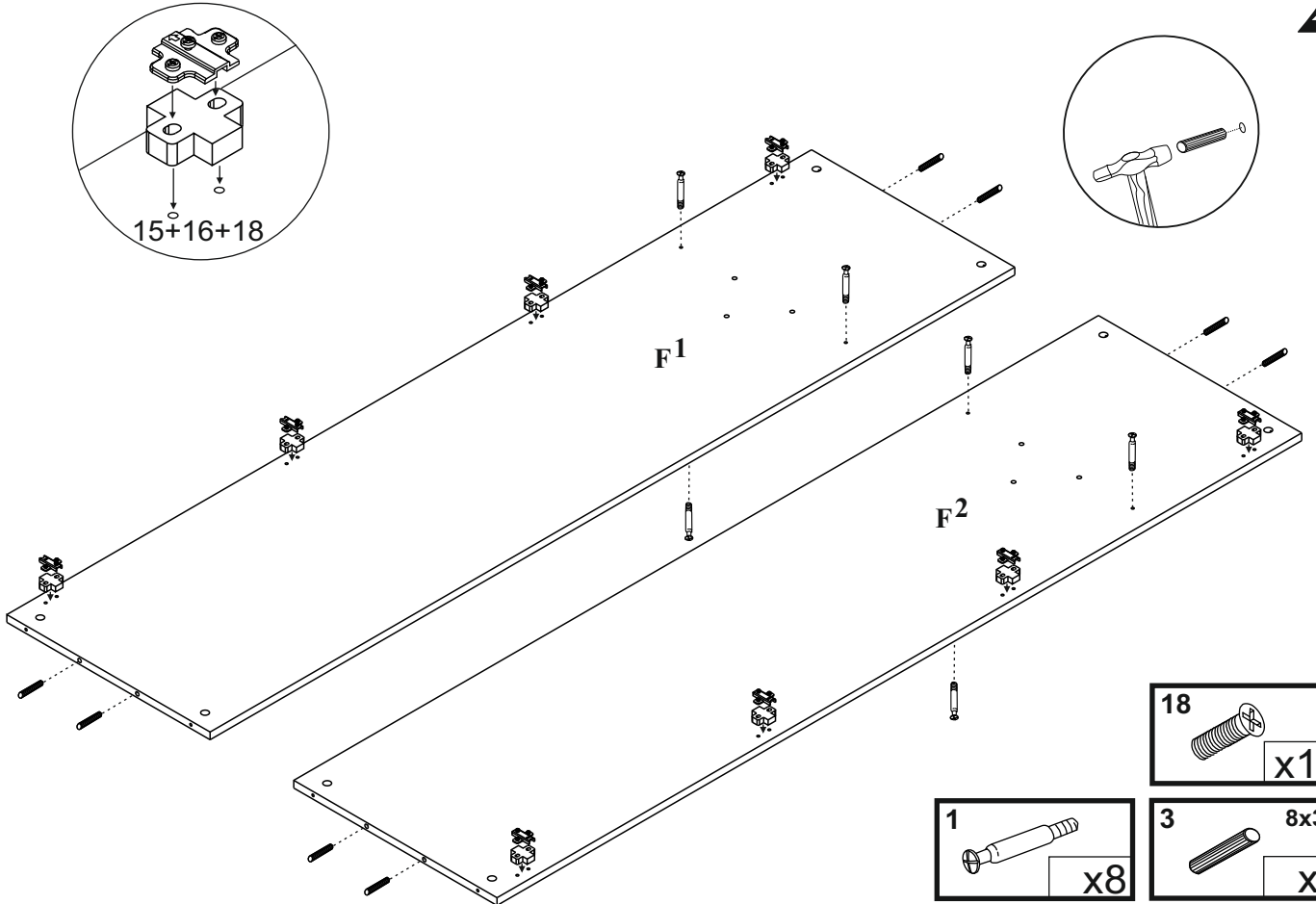


# 1



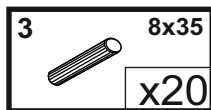
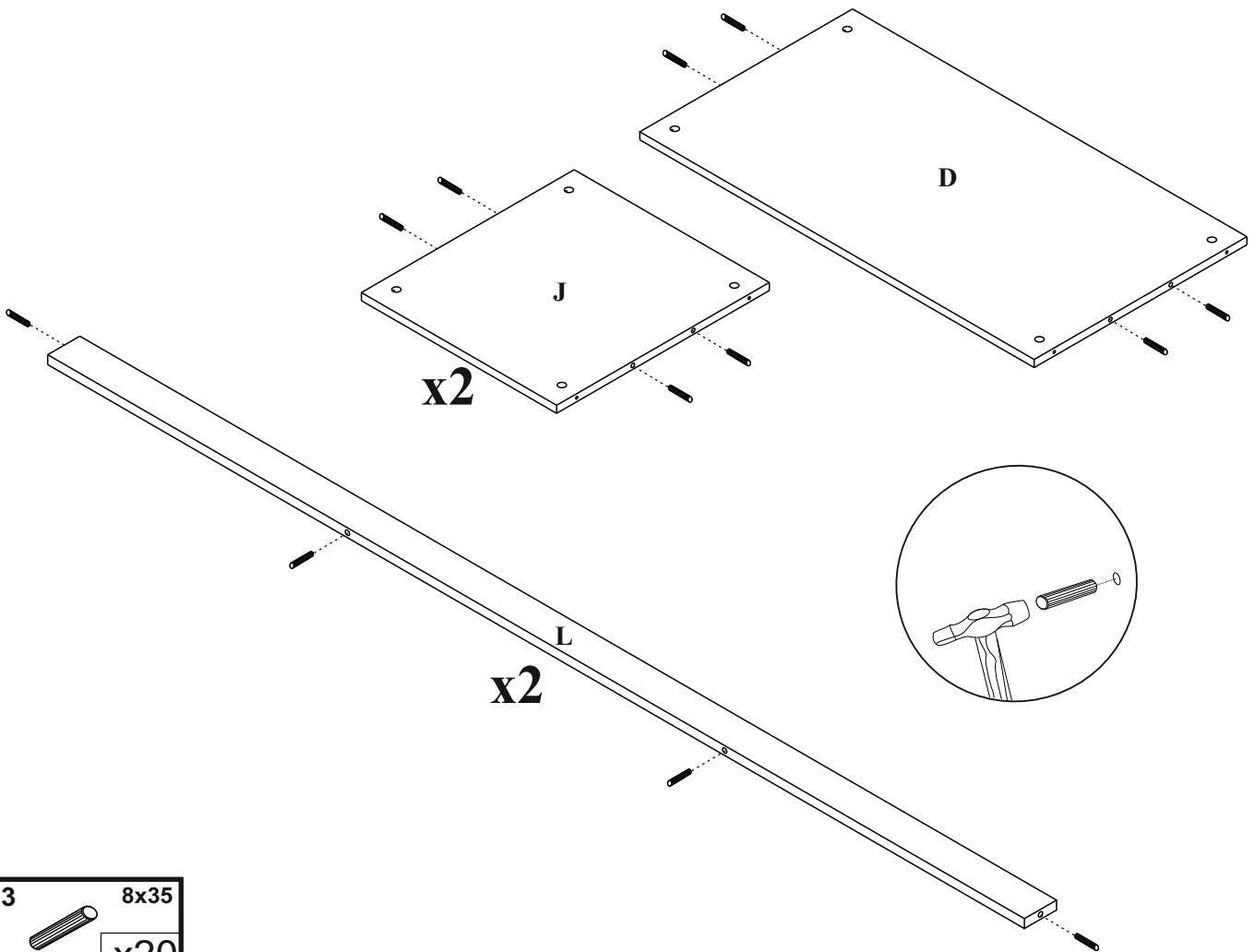
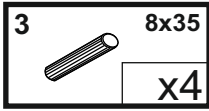
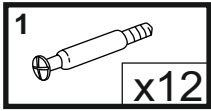
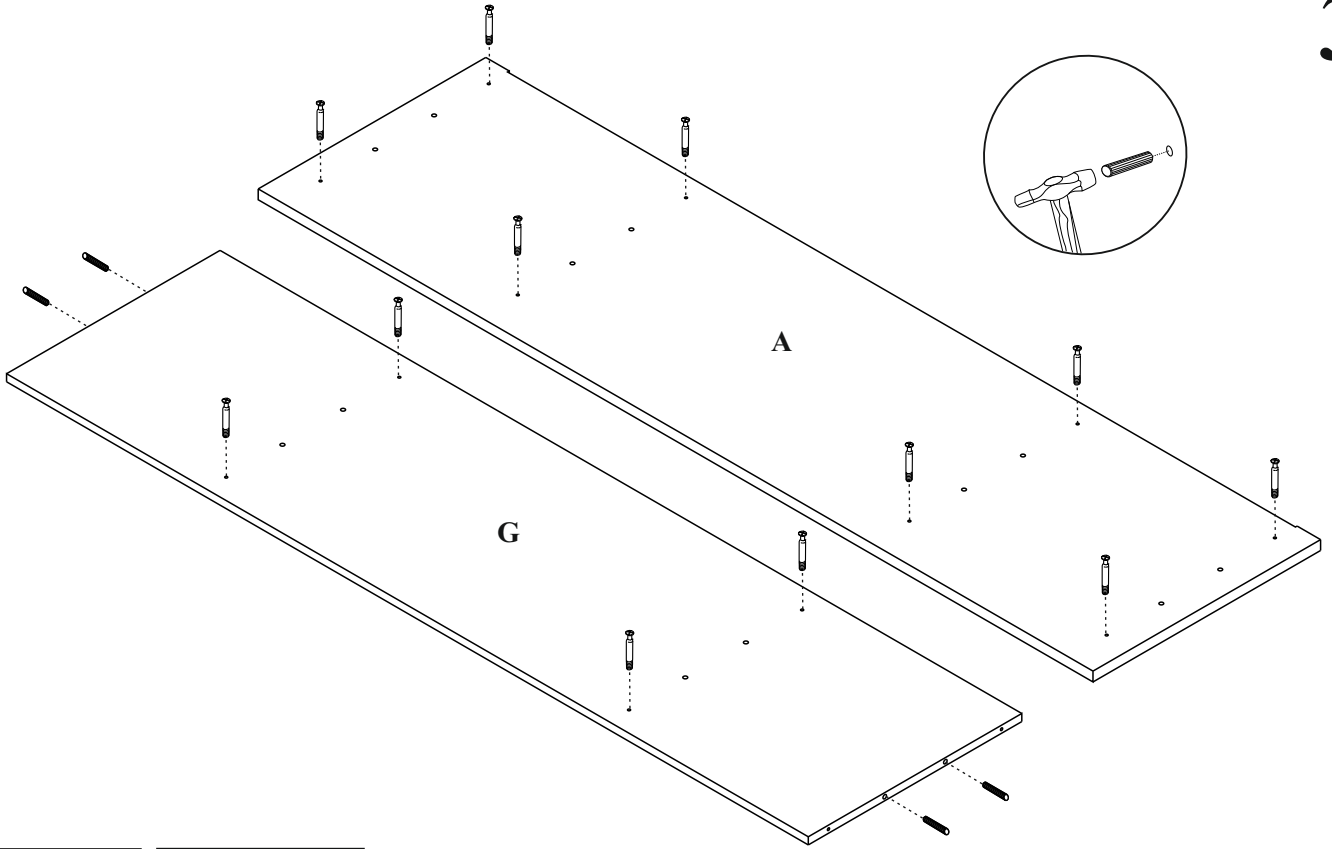
14	H-2	17
	x8	
1		3
	x8	
		8x35
		x4

# 2



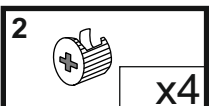
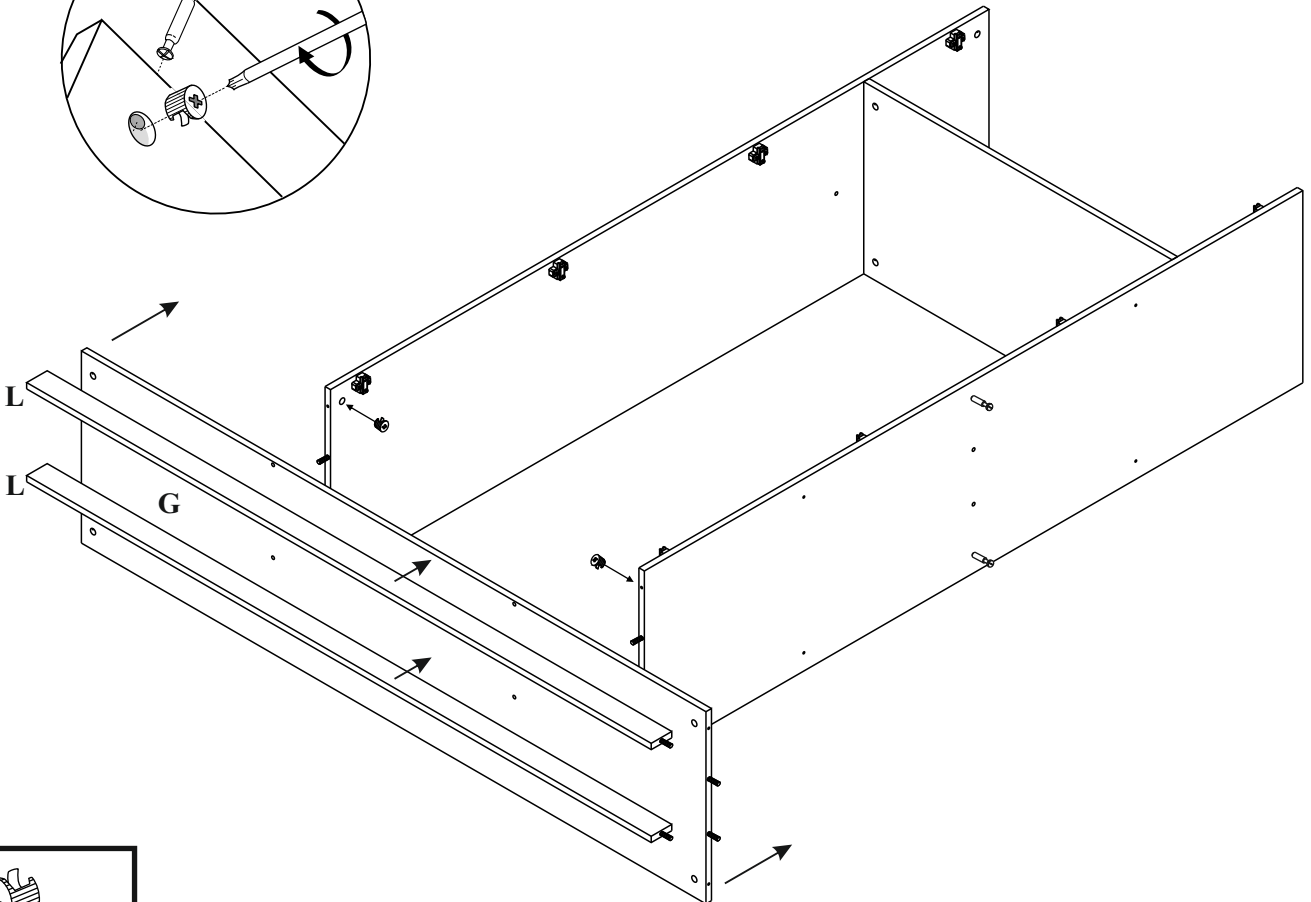
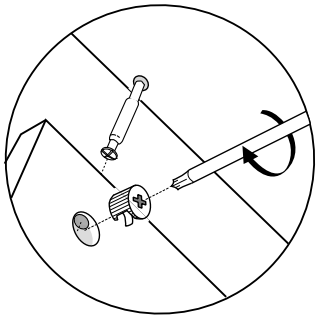
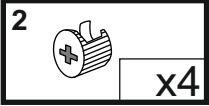
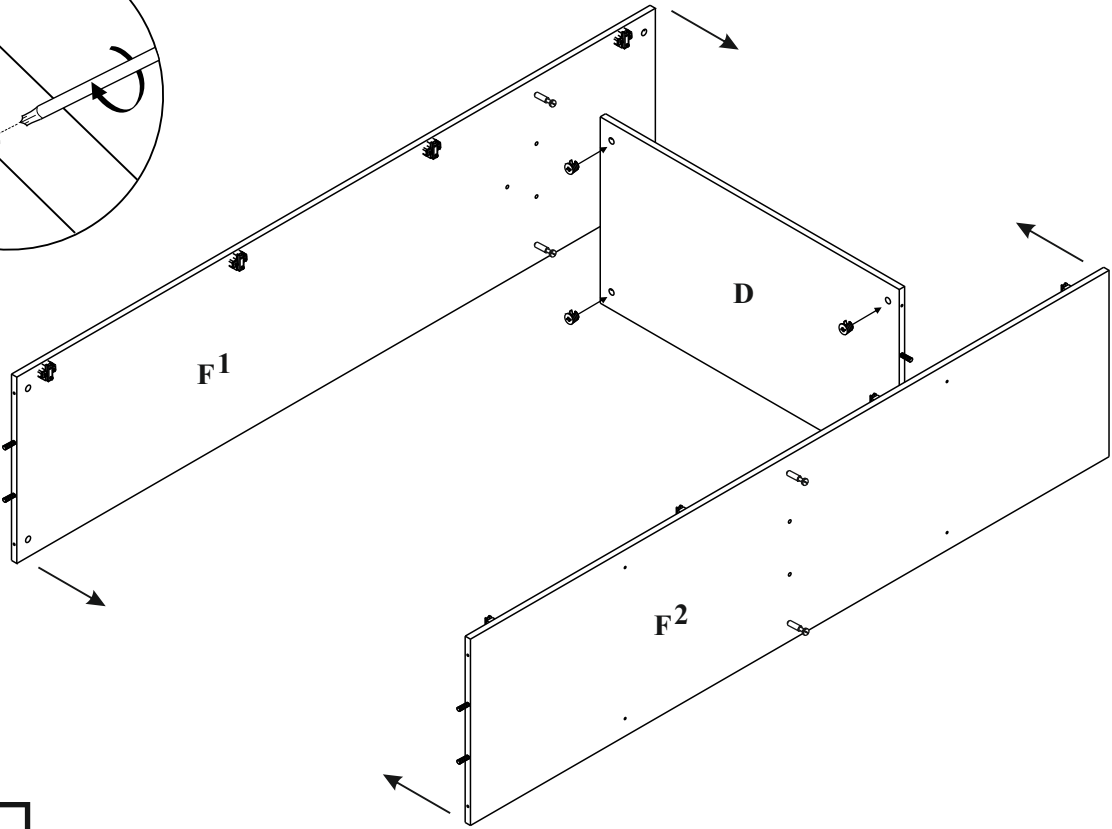
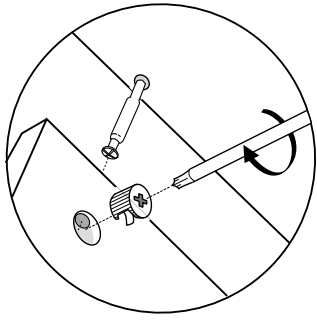
18		
	x16	
1		3
	x8	
		8x35
		x8
15	H-0	16
	x8	
		H-11
		x8

3




4

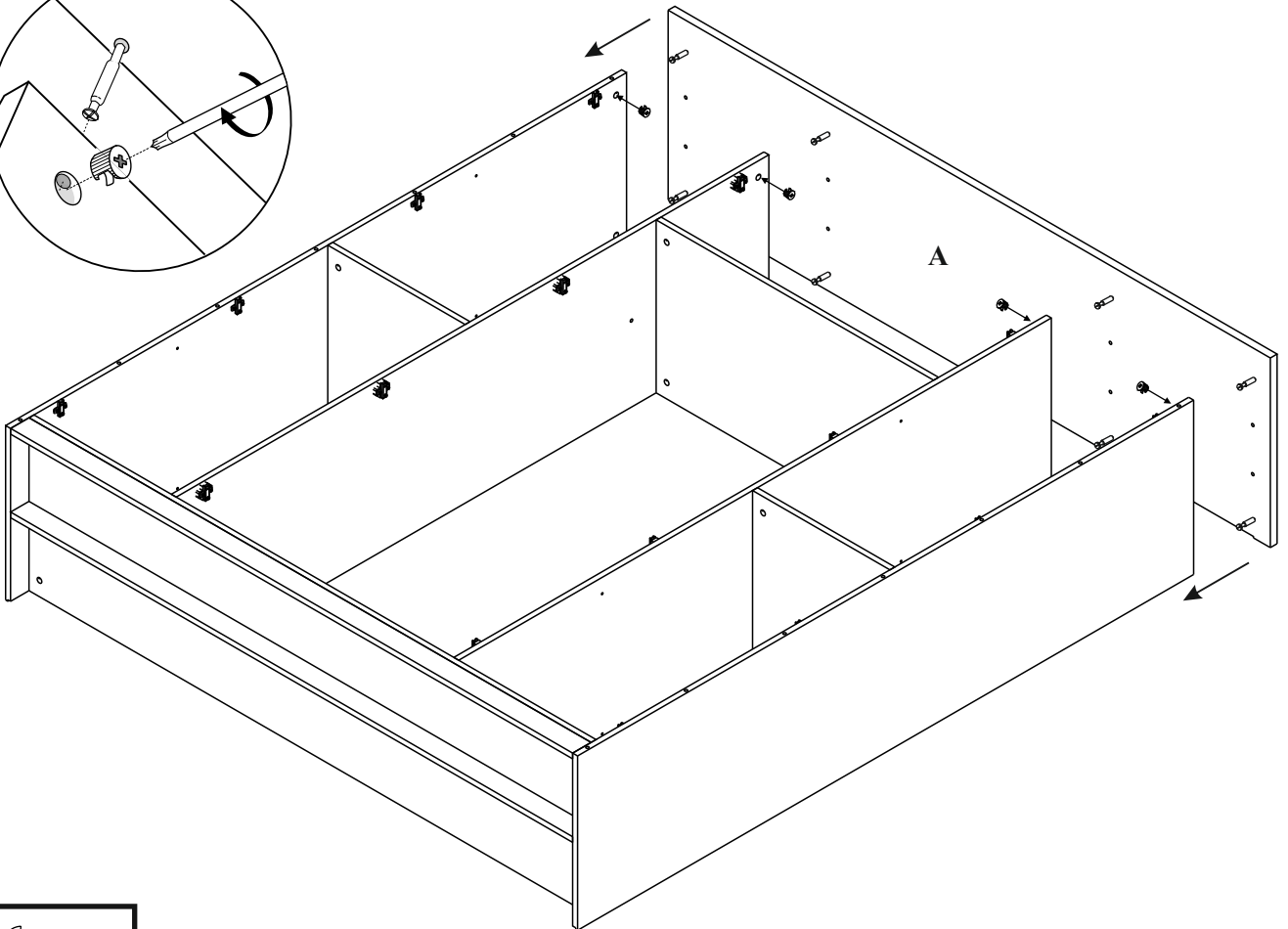
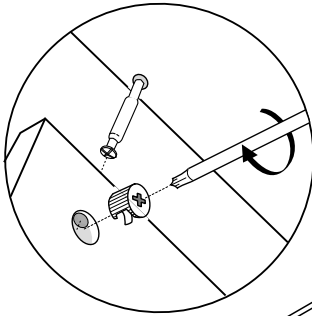
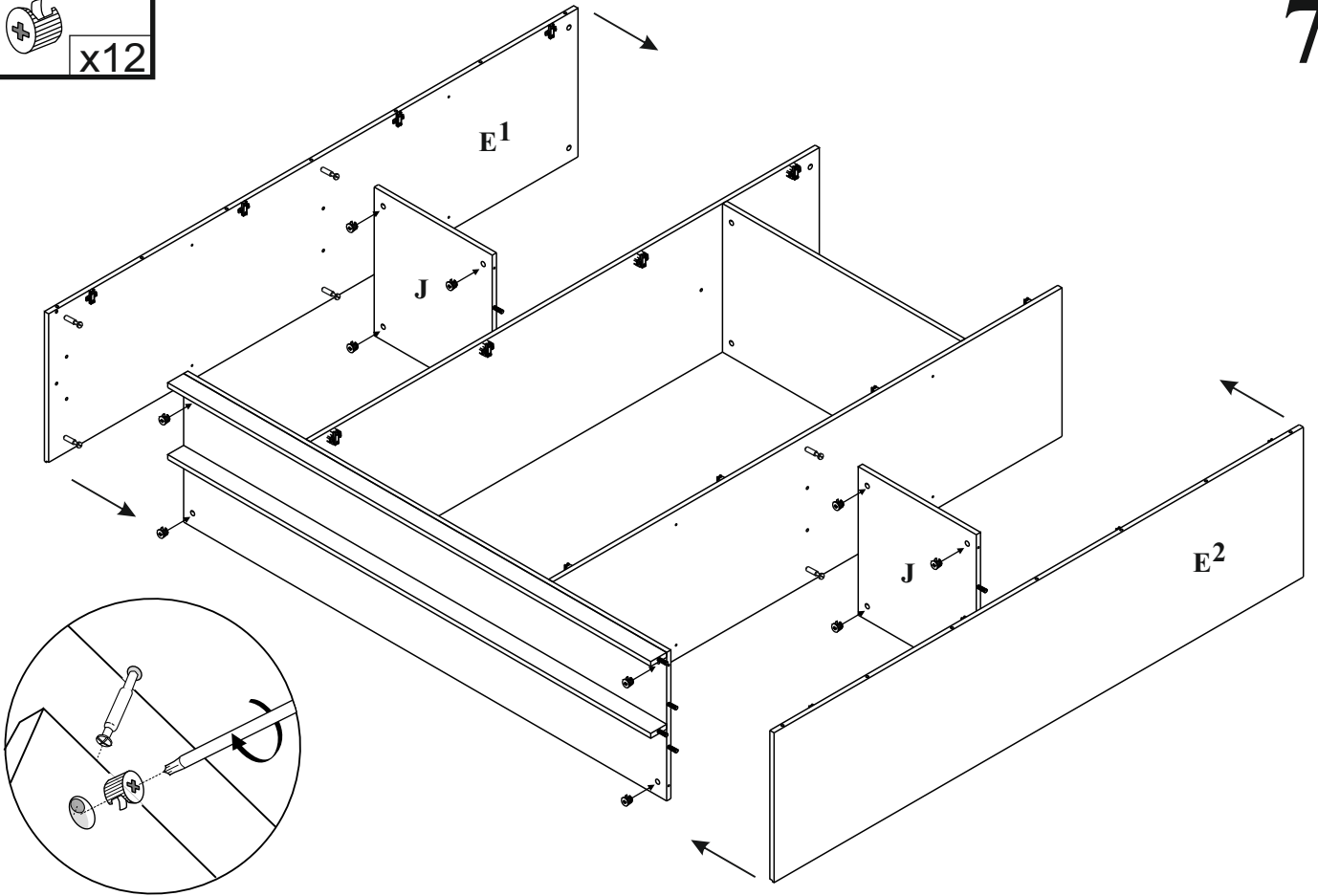
5




6

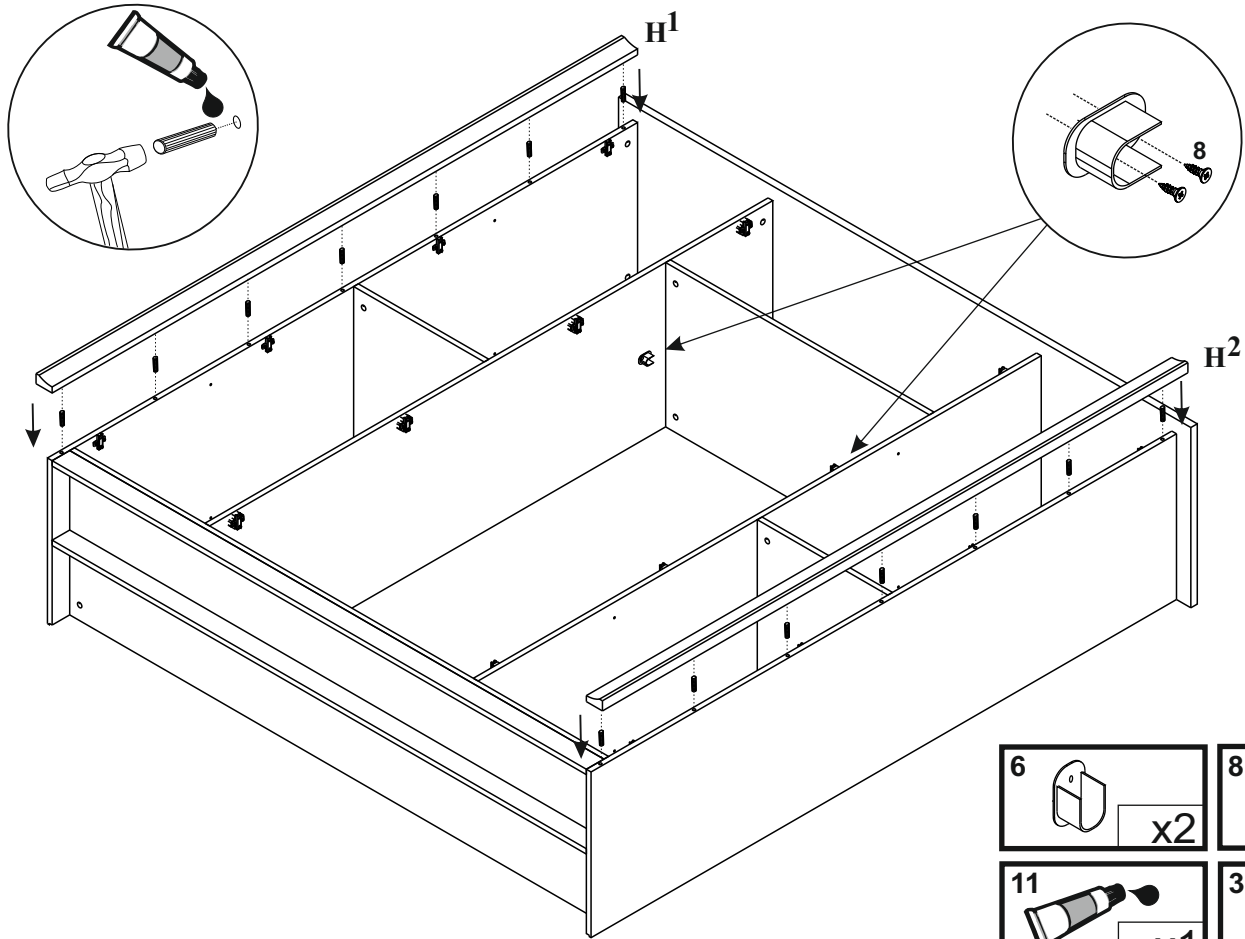
2  x12

7



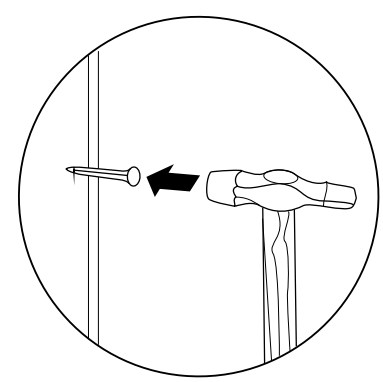
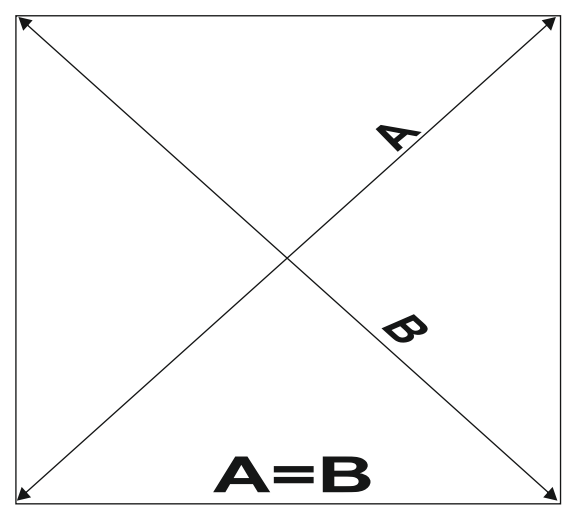
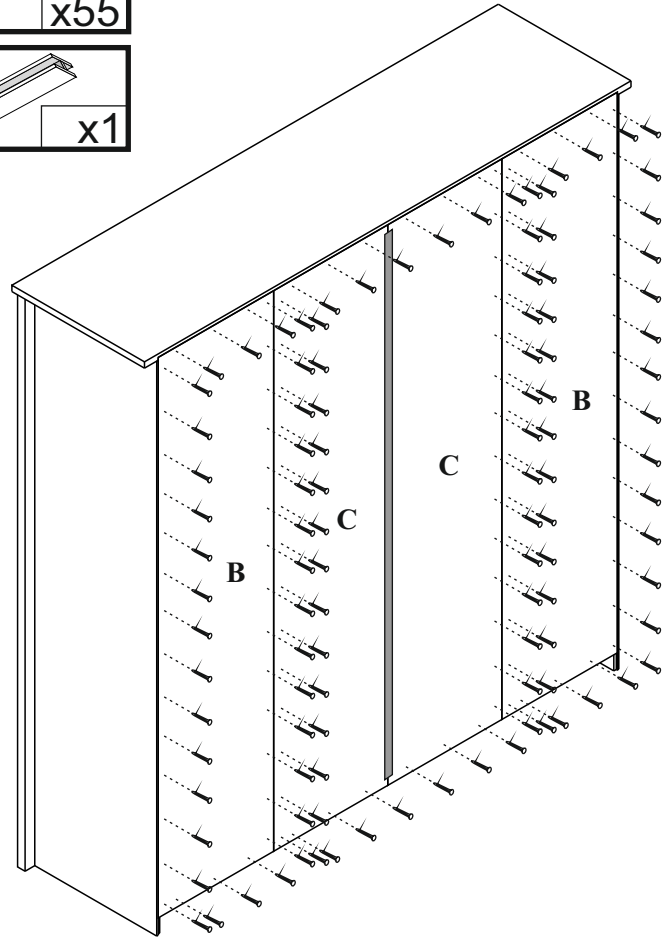
2  x8

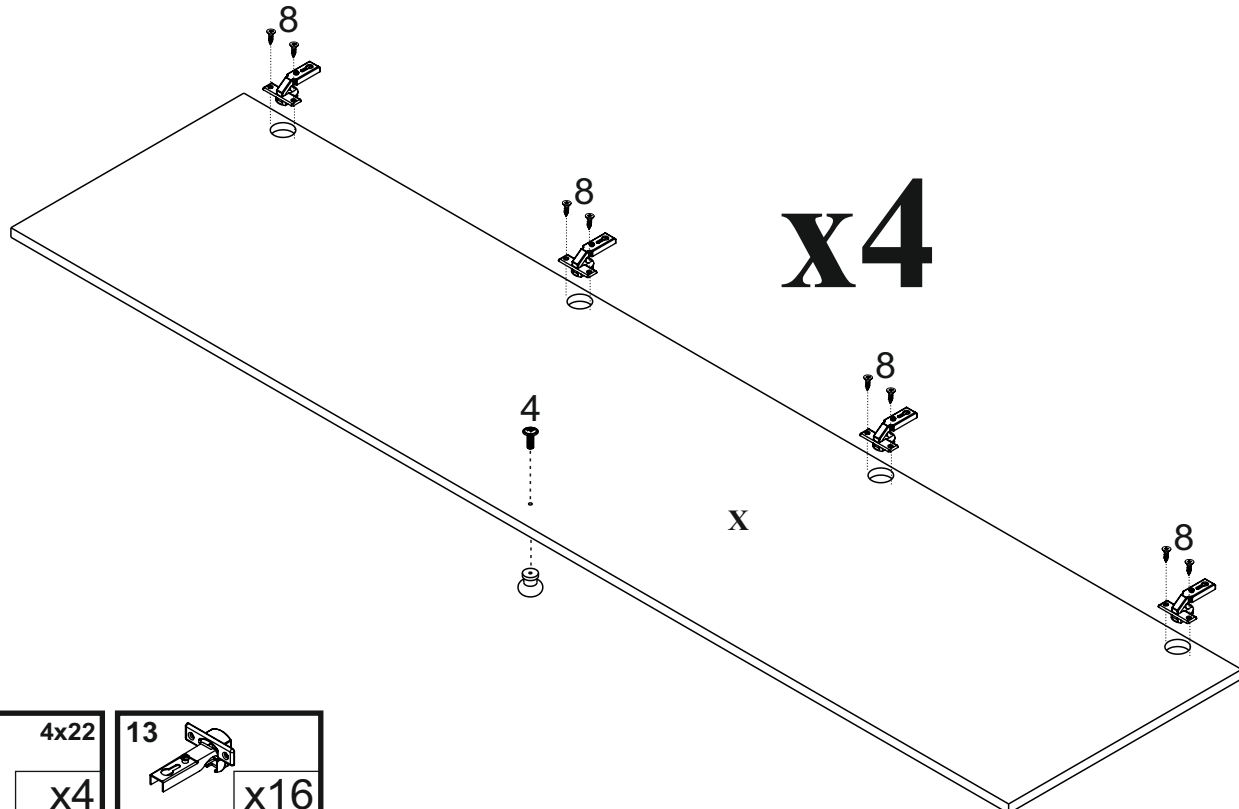
8



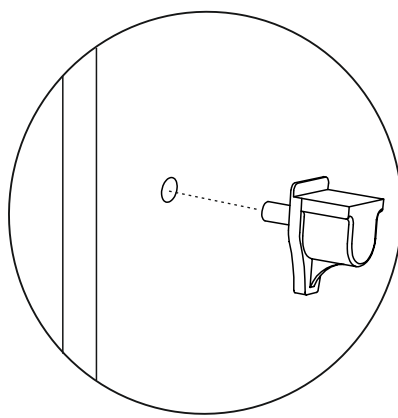
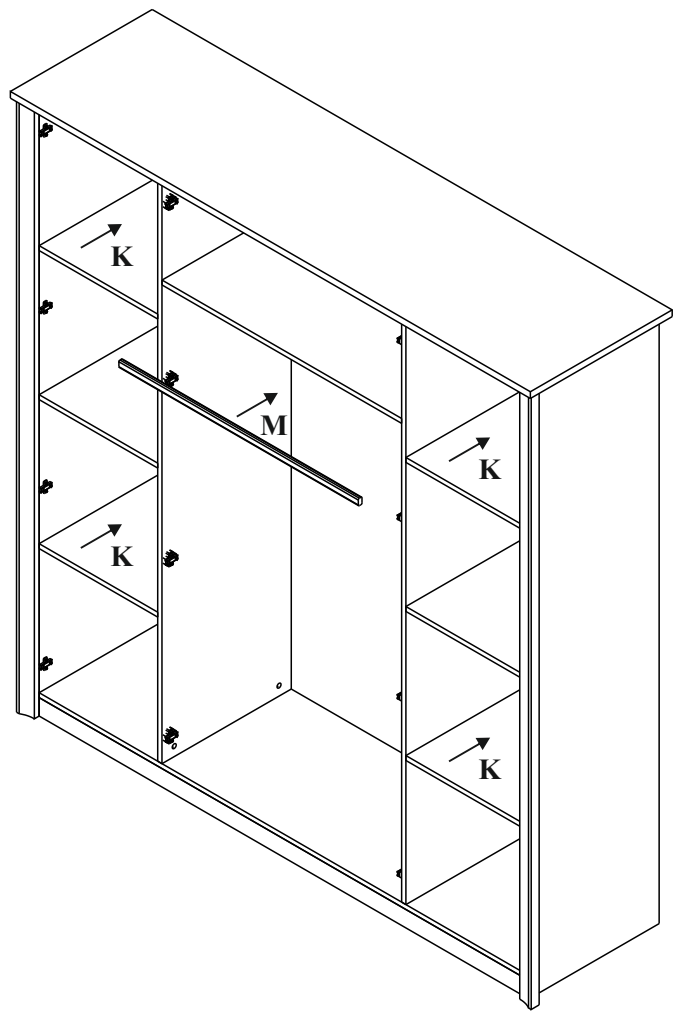
- |    |  |              |
|----|--|--------------|
| 6  |  | x2           |
| 8  |  | 3,5x16<br>x4 |
| 11 |  | x1           |
| 3  |  | 8x35<br>x14  |

- |   |  |     |
|---|--|-----|
| 5 |  | x55 |
| 9 |  | x1  |





4	4x22	13	x4
10	x4	8	x32



7	x16
---	-----



